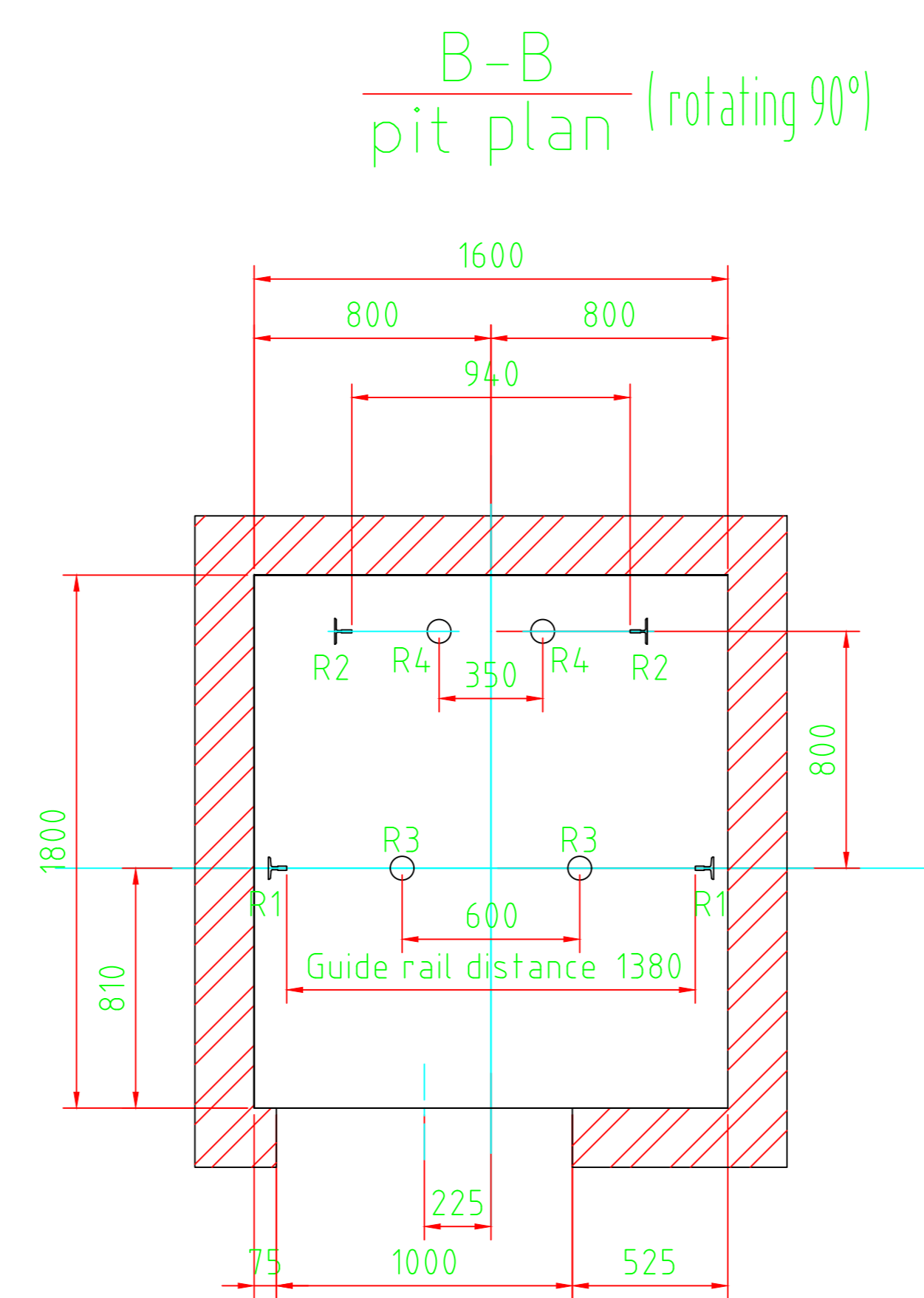
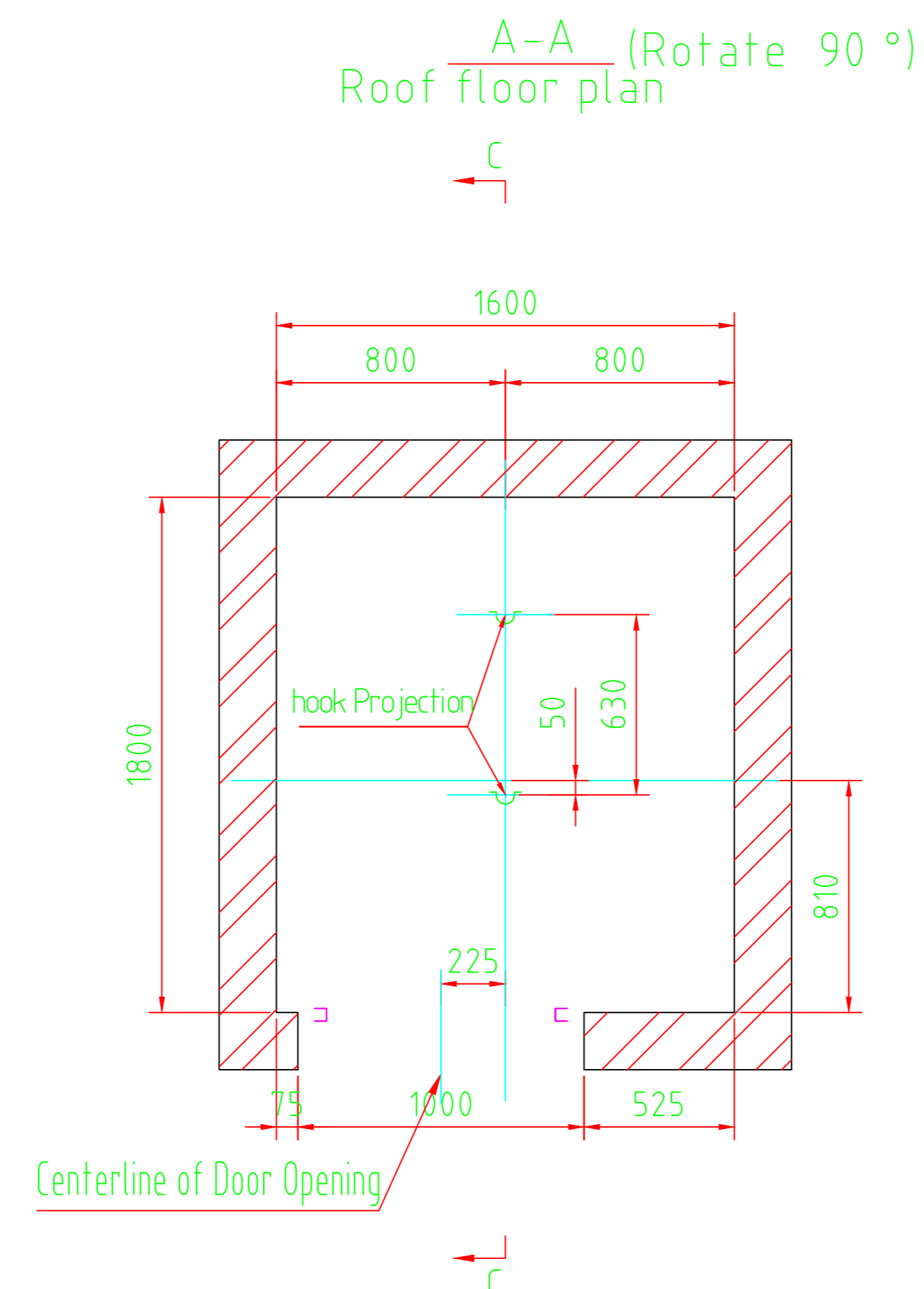
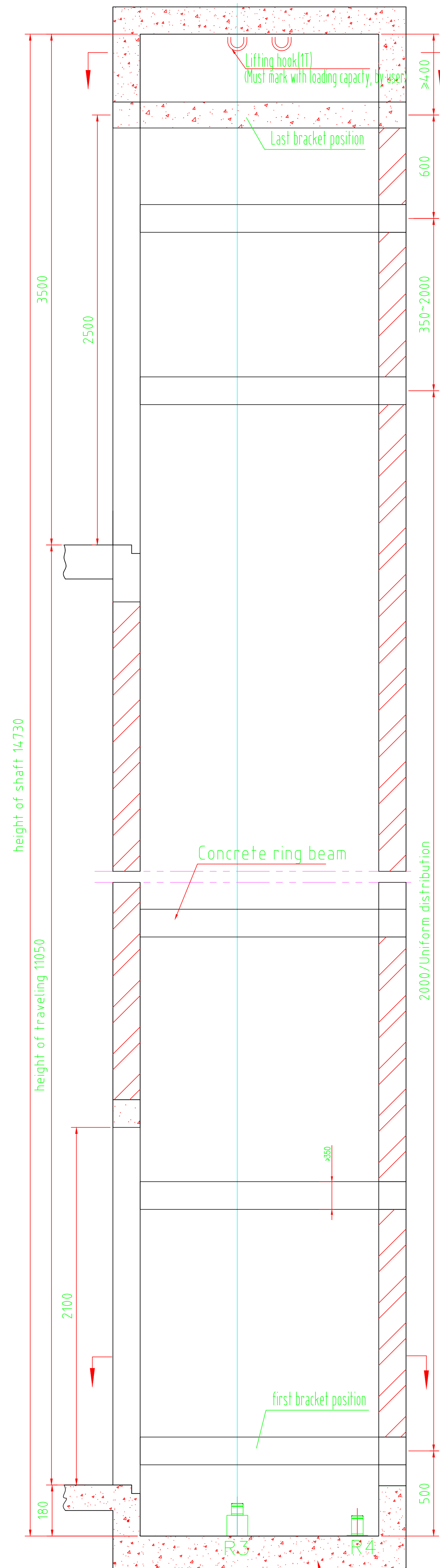
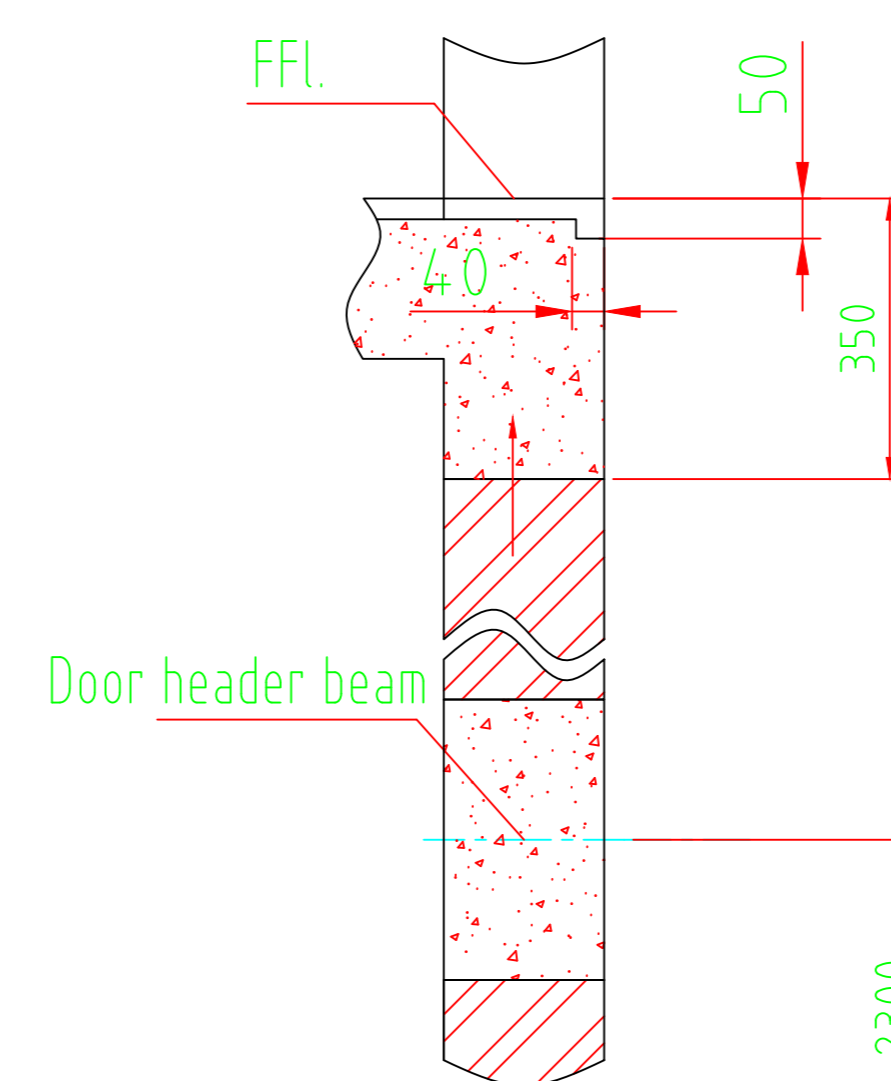


GRT181866

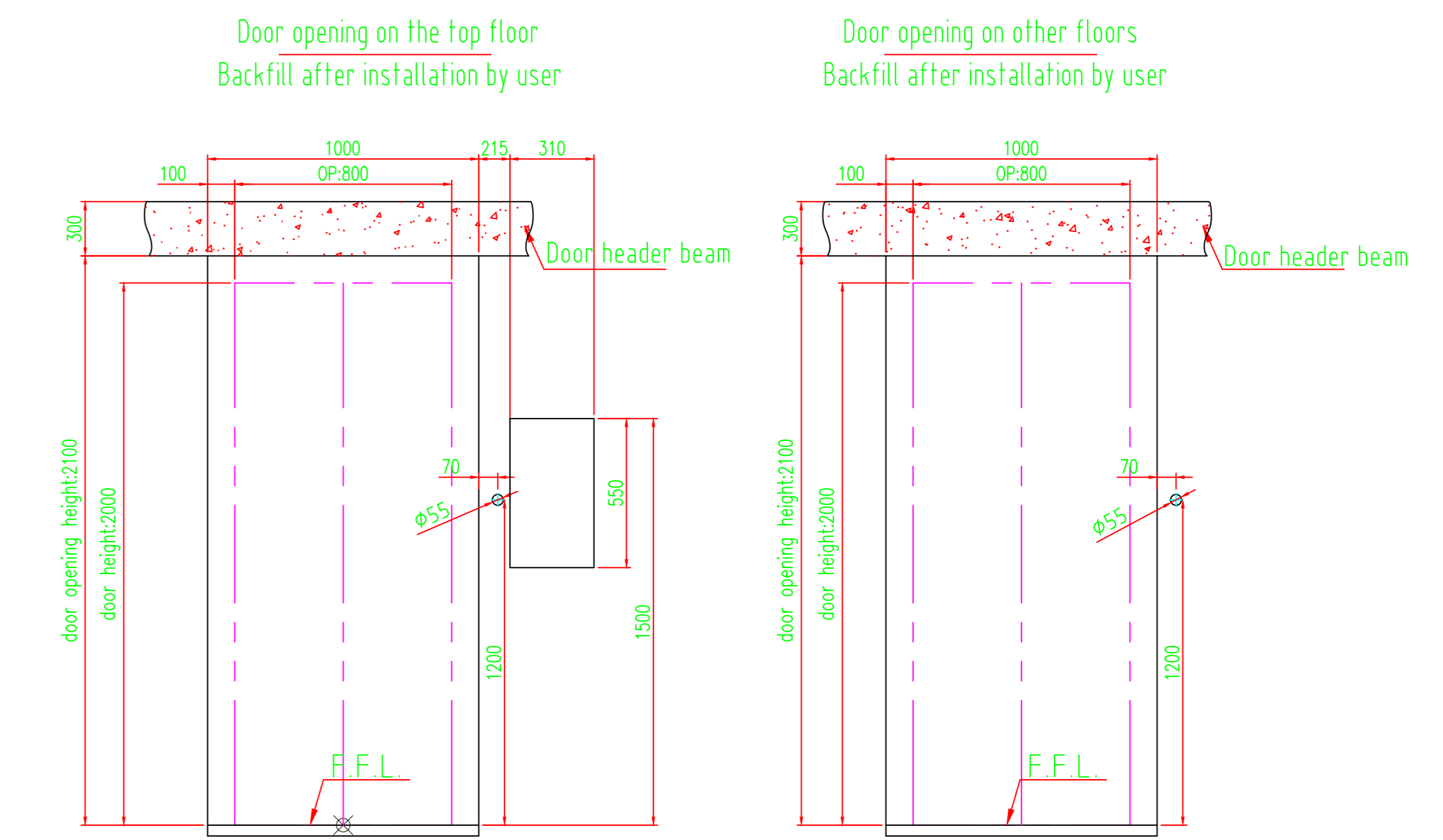
C-C longitudinal section dwg of shaft



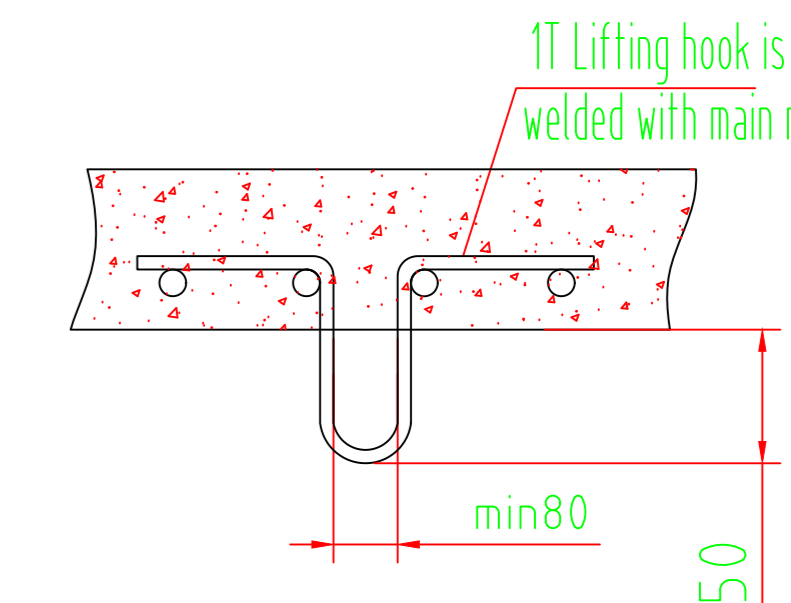
structure of bracket and doorway
There is no Concrete Support Corbel



There is no landing door supporting beam
(GRI supply at extra cost)



Lifting hook for maintenance
(For reference, structural dimensions will be determined by civil design)



Reaction force

- R1=30kN R2=30kN
- R3=20kN R4=24kN
- R5=0kN R6=0kN
- R7=0kN

Stamp & Signature

This figure is for reference only, and the final parameters of the signed contract shall prevail.

Note1: The layout of the building of the Company is made up of the layout drawing and the civil drawings and the drawings (12824-898). For details, please refer to the attached documents.

This figure is for construction layout reference only	
dimension of shaft (wXd)	1600x1800
counter weight rear position	
counterweight safety gear	N
inside size of car (wXd)	1250x1200
size of opening door (wXh)	800x2000
clear height of car	2100

product No.			
entry name	Pink building Phuket Paradis		
Building No.	DT1		
	G•Art-H400-2S0.4	GRT181866	
Marks Nos.	Doc.No.	Signed by	Date
Designed by	Jay	Date	2025/12/22
Proofed by			
Checked by			
Home lift construction layout drawing		Contract No.	Quantity
No.1		1	000
		Total 2 page	2 OF 2
		GUANGZHOU GUANGRI ELEVATOR INDUSTRY CO., LTD.	